

NORMAFIX® U Bolt Clamp



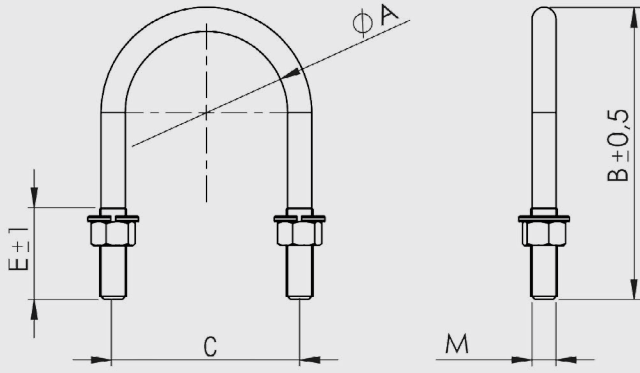
Keep simple things simple series

The NORMA U Bolt Clamps are U shaped, bent bolts with threads at both ends. A wide clamping range from 18 mm-350 mm is available. It is available both with carbon steel and stainless steel materials (AISI 304, AISI 316).

- ✓ Spring washers and nuts included
- ✓ Available in carbon steel and stainless steel
- ✓ Ready to install with improved locking capabilities
- ✓ Suitable for inside and outside installations

The NORMA U Bolt Clamp has a vast range of applications. It is used in buildings, constructions and as anchors for foundations, pipes and conduit holders.

NORMAFIX® U Bolt Clamp



Applications

The NORMA U Bolt Clamp has a vast range of applications. It is used in buildings, constructions and as anchors for foundations, roofs, pipes and conduit holders.

Materials

Made from W1 / W4 / W5

U Bolt Wire	Hexagonal Nut	Spring Washer
Zinc Plated Steel AISI 304 / AISI 316	Steel 8 Inox A2 / Inox A4	Steel Inox A2 / Inox A4

Part no. W1	Part no. W4	Part no. W5	Description	Measure							Unfolded length (mm)	Packaging quantity
				Ø (A)		(mm) (B)	(mm) (C)	(mm) (E)	(M)			
				(mm)	"							
0893 7211 018	0893 7214 018	0893 7215 018	U-BOLT 18	18	3/8	50	24	35	M6	114	100	
0893 7211 022	0893 7214 022	0893 7215 022	U-BOLT 22	22	1/2	53	28	35	M6	122	100	
0893 7211 028	0893 7214 028	0893 7215 028	U-BOLT 28	28	3/4	59	34	35	M6	137	100	
0893 7211 034	0893 7214 034	0893 7215 034	U-BOLT 34	34	1"	65	40	35	M6	153	100	
0893 7211 039	0893 7214 039	0893 7215 039	U-BOLT 39	39	Ø 38	70	42	35	M6	166	100	
0893 7211 043	0893 7214 043	0893 7215 043	U-BOLT 43	43	1 1/4	74	49	35	M6	176	100	
0893 7211 049	0893 7214 049	0893 7215 049	U-BOLT 49	49	1 1/2	85	57	40	M8	203	100	
0893 7211 054	0893 7214 054	0893 7215 054	U-BOLT 54	54	Ø 53	96	61	40	M8	227	100	
0893 7211 055	0893 7214 055	0893 7215 055	U-BOLT 55	55	Ø 54	97	62	40	M8	230	100	
0893 7211 061	0893 7214 061	0893 7215 061	U-BOLT 61	61	2"	99	70	40	M8	237	100	
0893 7211 066	0893 7214 066	0893 7215 066	U-BOLT 66	66	Ø 65	98	73	40	M8	238	100	
0893 7211 071	0893 7214 071	0893 7215 071	U-BOLT 71	71	Ø 70	102	78	40	M8	249	100	
0893 7211 077	0893 7214 077	0893 7215 077	U-BOLT 77	77	2 1/2	113	83	40	M8	275	100	
0893 7211 085	0893 7214 085	0893 7215 085	U-BOLT 85	85	Ø 84	117	94	40	M8	287	50	
0893 7211 090	0893 7214 090	0893 7215 090	U-BOLT 90	90	3"	126	98	40	M8	308	50	
0893 7211 105	0893 7214 105	0893 7215 105	U-BOLT 05	105	Ø104	149	114	40	M10	364	50	
0893 7211 115	0893 7214 115	0893 7215 115	U-BOLT 15	115	4"	155	125	40	M10	381	50	
0893 7211 130	0893 7214 130	0893 7215 130	U-BOLT 30	130	Ø129	170	140	40	M10	420	50	
0893 7211 144	0893 7214 144	0893 7215 144	U-BOLT 44	144	5"	184	154	40	M10	456	50	
0893 7211 155	0893 7214 155	0893 7215 155	U-BOLT 55	155	Ø154	194	164	40	M10	482	25	
0893 7211 170	0893 7214 170	0893 7215 170	U-BOLT 70	170	6"	210	180	40	M10	523	25	
0893 7211 206	0893 7214 206	0893 7215 206	U-BOLT 06	206	Ø204	244	214	40	M10	611	25	
0893 7211 221	0893 7214 221	0893 7215 221	U-BOLT 21	221	8"	259	230	40	M10	650	25	
0893 7211 256	0893 7214 256	0893 7215 256	U-BOLT 56	256	Ø254	294	264	40	M10	740	25	
0893 7211 275	0893 7214 275	0893 7215 275	U-BOLT 75	275	10"	313	284	40	M10	789	25	
0893 7211 306	0893 7214 306	0893 7215 306	U-BOLT 06	306	Ø304	344	314	50	M10	868	25	
0893 7211 324	0893 7214 324	0893 7215 324	U-BOLT 24	324	12"	368	334	50	M10	916	25	
0893 7211 354	0893 7214 354	0893 7215 354	U-BOLT 54	354	Ø350	407	364	50	M10	1016	25	



Do you have questions or require a personal consultation?
 The NORMA team is happy to get in touch with you! Hotline: +31 299 46 2062
 Or visit our website for more information about our products: normagroup.com

