

# NORMAFIX® Isophonic Pipe Clamp



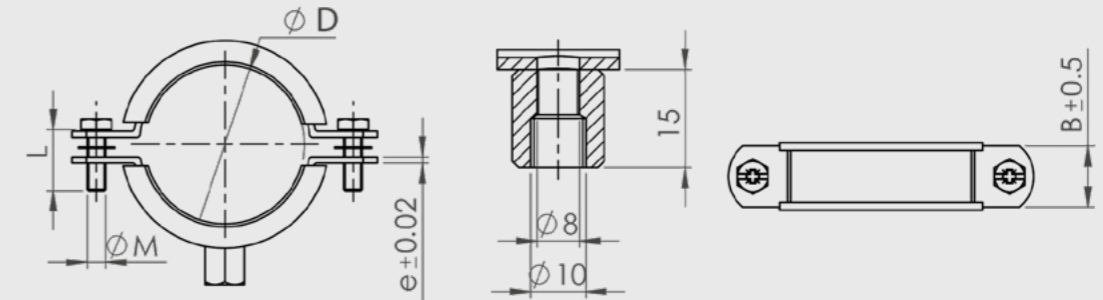
**Enables pipes to be attached to walls quickly and easily, avoiding noise and vibration**

- ✓ Full range 17–1250 mm pipe diameter
- ✓ Captive side screws remain in place during clamp and pipe installation
- ✓ Dual terminal nut for both M8 and M10 screw
- ✓ PVC profile for noise and vibration reduction

Applications	Material	
The NORMAFIX® Isophonic Pipe Clamp fixes pipes of different diameters to building structures such as walls and ceilings. The pipe clamp consists of two halves, where one half has a dual terminal nut suitable for M8 and M10 screws, for wall/ceiling mounting. The other half secures the pipe in place.	<b>Group</b>	W1, W4, W5
	<b>Inlay</b>	PVC
	<b>PVC Hardness</b>	Shore hardness 66-73 (ISO 686)
	<b>Temperature</b>	-40 °C to +50 °C
	<b>Maximum Load recommended</b>	80–200 kg (785–1,962 N)

Description	Measure				Material Quality	Article Number	Packaging Quantity (pcs)
	∅ (D) (mm)	Clamping Range (mm)	Band B × e (mm)	Screw M × l (mm)			
W1							
Pipe Clamp M8+M10/18 W1	18	17-22	20×2	M6×20	W1	0893 7121 018	50
Pipe Clamp M8+M10/22 W1	22	20-26	20×2			0893 7121 022	50
Pipe Clamp M8+M10/28 W1	28	26-31	20×2			0893 7121 028	50
Pipe Clamp M8+M10/35 W1	35	32-36	20×2			0893 7121 035	50
Pipe Clamp M8+M10/40 W1	40	38-44	20×2			0893 7121 040	25
Pipe Clamp M8+M10/48 W1	48	48-52	20×2			0893 7121 048	25
Pipe Clamp M8+M10/54 W1	54	53-59	20×2			0893 7121 054	25
Pipe Clamp M8+M10/60 W1	60	60-66	20×2			0893 7121 060	25
Pipe Clamp M8+M10/70 W1	70	68-72	20×2			0893 7121 070	25
Pipe Clamp M8+M10/75 W1	75	74-82	20×2			0893 7121 075	25
Pipe Clamp M8+M10/84 W1	84	83-83	20×2			0893 7121 084	25
Pipe Clamp M8+M10/90 W1	90	87-92	20×2			0893 7121 090	25
Pipe Clamp M8+M10/100 W1	100	99-103	20×2			0893 7121 100	25
Pipe Clamp M8+M10/110 W1	110	109-115	20×2			0893 7121 110	25
Pipe Clamp M8+M10/115 W1	115	113-119	20×2			0893 7121 115	25
Pipe Clamp M8+M10/125 W1	125	125-131	20×2			0893 7121 125	25
Pipe Clamp M8+M10/140 W1	140	138-142	20×2			0893 7121 140	25
Pipe Clamp M8+M10/150 W1	150	149-155	20×2			0893 7121 150	25
Pipe Clamp M8+M10/160 W1	160	159-165	20×2			0893 7121 160	25
Pipe Clamp M8+M10/180 W1	180	177-185	20×2			0893 7121 180	25
Pipe Clamp M8+M10/200 W1	200	200-205	28×2	M6×30	W1	0893 7121 200	25
Pipe Clamp M8+M10/220 W1	220	219-226	28×2			0893 7121 220	25
Pipe Clamp M8+M10/225 W1	225	224-229	28×2			0893 7121 225	25
Pipe Clamp M8+M10/250 W1	250	249-255	28×2			0893 7121 250	25
Pipe Clamp M8+M10/280 W1	280	279-285	28×2			0893 7121 280	25
Pipe Clamp M8+M10/300 W1	300	300-306	28×2			0893 7121 300	25
Pipe Clamp M8+M10/315 W1	315	315-320	28×2			0893 7121 315	25
Pipe Clamp M8+M10/350 W1	350	349-356	28×2			0893 7121 350	25
Pipe Clamp M8+M10/400 W1	400	400-405	28×2			0893 7121 400	25
Pipe Clamp M8+M10/450 W1	450	450-455	28×2			0893 7121 450	25
Pipe Clamp M8+M10/500 W1	500	499-505	28×2			0893 7121 500	25
Pipe Clamp M8+M10/560 W1	560	559-566	28×2,5			0893 7121 560	25
Pipe Clamp M8+M10/600 W1	600	599-606	28×2,5			0893 7121 600	25
Pipe Clamp M8+M10/630 W1	630	629-636	28×2,5			0893 7121 630	25
Pipe Clamp M8+M10/700 W1	700	699-706	28×2,5			0893 7121 700	25

NORMAFIX® Isophonic Pipe Clamp



W4									
Pipe Clamp M8+M10/22 W4	22	20-25	20×2	M6×20	W4	0893 7124 022	50		
Pipe Clamp M8+M10/28 W4	28	26-31	20×2			0893 7124 028	50		
Pipe Clamp M8+M10/35 W4	35	31-36	20×2			0893 7124 035	50		
Pipe Clamp M8+M10/40 W4	40	38-44	20×2			0893 7124 040	50		
Pipe Clamp M8+M10/48 W4	48	45-51	20×2			0893 7124 048	50		
Pipe Clamp M8+M10/54 W4	54	52-57	20×2			0893 7124 054	50		
Pipe Clamp M8+M10/60 W4	60	57-63	20×2			0893 7124 060	50		
Pipe Clamp M8+M10/70 W4	70	69-73	20×2			0893 7124 070	50		
Pipe Clamp M8+M10/75 W4	75	73-77	20×2			0893 7124 075	50		
Pipe Clamp M8+M10/84 W4	84	83-86	20×2			0893 7124 084	25		
Pipe Clamp M8+M10/90 W4	90	87-94	20×2			0893 7124 090	25		
Pipe Clamp M8+M10/104 W4	104	103-110	20×2			0893 7124 100	25		
Pipe Clamp M8+M10/110 W4	110	107-114	20×2			M6×25	W4	0893 7124 110	25
Pipe Clamp M8+M10/115 W4	115	110-118	20×2					0893 7124 115	25
Pipe Clamp M8+M10/125 W4	125	123-131	20×2					0893 7124 125	25
Pipe Clamp M8+M10/133 W4	133	131-135	20×2	0893 7124 133	25				
Pipe Clamp M8+M10/140 W4	140	136-145	20×2	0893 7124 140	25				
Pipe Clamp M8+M10/150 W4	150	147-155	20×2	0893 7124 150	25				
Pipe Clamp M8+M10/160 W4	160	158-164	20×2	0893 7124 160	25				
Pipe Clamp M8+M10/180 W4	180	178-184	20×2	0893 7124 180	25				
Pipe Clamp M8+M10/204 W4	204	200-206	28×2	0893 7124 204	25				
Pipe Clamp M8+M10/220 W4	220	216-226	28×2	0893 7124 220	25				
Pipe Clamp M8+M10/225 W4	225	223-227	28×2	M6×30	W4	0893 7124 225	25		
Pipe Clamp M8+M10/250 W4	250	249-256	28×2			0893 7124 250	25		
Pipe Clamp M8+M10/280 W4	280	279-285	28×2			0893 7124 280	25		
Pipe Clamp M8+M10/300 W4	300	300-307	28×2			0893 7124 300	25		
Pipe Clamp M8+M10/315 W4	315	314-321	28×2			0893 7124 315	25		
Pipe Clamp M8+M10/350 W4	350	350-359	28×2			0893 7124 350	25		

W5							
Pipe Clamp M8+M10/18 W5	18	17-20	20×2	M6×20	W5	0893 7125 018	50
Pipe Clamp M8+M10/22 W5	22	21-26	20×2			0893 7125 022	50
Pipe Clamp M8+M10/28 W5	28	26-29	20×2			0893 7125 028	50
Pipe Clamp M8+M10/35 W5	35	32-36	20×2			0893 7125 035	50
Pipe Clamp M8+M10/40 W5	40	39-42	20×2			0893 7125 040	25
Pipe Clamp M8+M10/48 W5	48	46-50	20×2			0893 7125 048	25
Pipe Clamp M8+M10/54 W5	54	53-57	20×2			0893 7125 054	25

W5							
Pipe Clamp M8+M10/60 W5	60	60-66	20x2	M6x20	W5	0893 7125 060	25
Pipe Clamp M8+M10/70 W5	70	68-73	20x2			0893 7121 070	25
Pipe Clamp M8+M10/75 W5	75	75-80	20x2			0893 7125 075	25
Pipe Clamp M8+M10/84 W5	84	81-89	20x2			0893 7125 084	25
Pipe Clamp M8+M10/90 W5	90	90-95	20x2			0893 7125 090	25
Pipe Clamp M8+M10/100 W5	100	98-103	20x2			0893 7125 100	25
Pipe Clamp M8+M10/110 W5	110	107-115	20x2			0893 7125 110	25
Pipe Clamp M8+M10/115 W5	115	114-119	20x2			0893 7125 115	25
Pipe Clamp M8+M10/125 W5	125	123-131	20x2			0893 7125 125	25
Pipe Clamp M8+M10/133 W5	133	131-138	20x2			0893 7125 133	25
Pipe Clamp M8+M10/140 W5	140	140-149	20x2	M6x25	W5	0893 7125 140	25
Pipe Clamp M8+M10/150 W5	150	148-155	20x2			0893 7125 150	25
Pipe Clamp M8+M10/160 W5	160	158-164	20x2			0893 7125 160	25
Pipe Clamp M8+M10/180 W5	180	177-184	20x2			0893 7125 180	25
Pipe Clamp M8+M10/204 W5	204	201-210	28x2			0893 7125 204	25
Pipe Clamp M8+M10/220 W5	220	213-225	28x2			0893 7125 220	25
Pipe Clamp M8+M10/225 W5	225	223-227	28x2			0893 7125 225	25
Pipe Clamp M8+M10/250 W5	250	249-255	28x2			0893 7125 250	25
Pipe Clamp M8+M10/280 W5	280	279-285	28x2			0893 7125 280	25
Pipe Clamp M8+M10/300 W5	300	300-307	28x2			M6x30	W5
Pipe Clamp M8+M10/315 W5	315	313-325	28x2	0893 7125 315	25		
Pipe Clamp M8+M10/350 W5	350	350-359	28x2	0893 7125 350	25		
Pipe Clamp M8+M10/400 W5	400	398-408	28x2	0893 7125 400	25		
Pipe Clamp M8+M10/500 W5	500	499-505	28x2	0893 7125 500	25		

Clamp Screws						
	Description	Screw	Material Quality	Article Number	Packaging Quantity	
	Srew for Clamp M8x40/W1	M8x40	W1	0893 7101 084	100	
	Srew for Clamp M8x60/W1	M8x60	W1	0893 7101 086	100	
	Srew for Clamp M8x80/W1	M8x80	W1	0893 7101 088	100	
	Srew for Clamp M10x50/W1	M10x50	W1	0893 7101 105	100	
	Srew for Clamp M10x70/W1	M10x70	W1	0893 7101 107	100	
	Srew for Clamp M8x50/W4	M8x50	W4	0893 7104 085	100	

Base with Nut					
	Description	Nut	Material Quality	Article Number	Packaging Quantity
	Rectangular Base with Nut M8+M10/W5	M8+M10	W5	0893 7125 500	1

More benefits

- Secure clamping mechanism for stable grip

NORMAFIX® Isophonic Pipe Clamp is part of a broad portfolio. Discover more!



Reinforced Pipe Clamp



U-Bolt Clamp

Do you have questions or require a personal consultation? Contact your sales representative today to find out more. Or visit our website for more information about our products: [norma-connects.com](http://norma-connects.com)

