

# NORMACONNECT® DCS RAPID

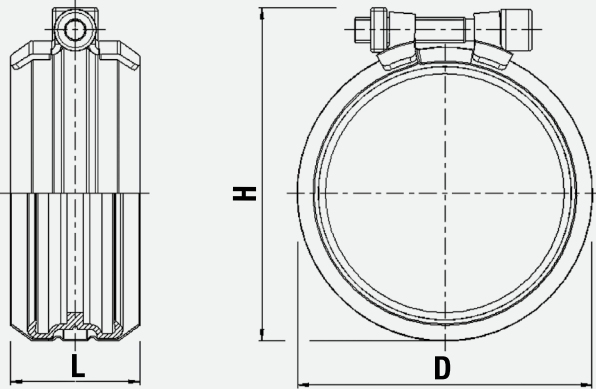


## One single connector for most drainage pipe materials\*

- ✓ Single-bolt closure and block tightening save valuable time during installation
- ✓ Suitable for unpressurised drainage systems with pipes and fittings made of cast iron acc. to EN 877 and drainage pipes made of plastic\*, also in mixed installations
- ✓ Reliable connection of plain ended drainage pipes, e.g. even after shortening

\* For PP-H (HT), PVC-U (KG) or PE/HDPE plastic drainage pipes in unpressurised drainage systems with DCS RAPID DN 100

**NORMACONNECT® DCS RAPID**



**Applications**

For non-pull-out resistant drainage connections: resisting pressure up to max. 0.5 bar or 0.3 bar, depending on the diameter and version (suitable for higher pressures with cast iron pipe systems in combination with our claws), e.g. in

- Buildings
- Buried in soil
- Kitchens
- Underground car parks
- Bridges
- Laboratories

**Material**

<b>Group</b>	W2	W5
<b>Collar</b>	AISI 430 Ti	AISI 316 Ti
<b>Clamping unit</b>	AISI 304 / AISI 430 Ti	AISI 316 Ti
<b>Bolts/Nuts</b>	Steel, surface protected	Stainless steel
<b>Gasket</b>	EPDM   NBR (new)	

Designation	Max. Dimensions after Assembly						W2 Product No.		W5 Product No.	
	DN	D (mm)	H (mm)	L (mm)	P max (bar)	Bolt (mm)	EPDM	NBR	EPDM	NBR
RAPID DN 50	50	70	80	46	0.5	M 8	0245 8218 050	0245 0003 050	0245 8126 050	0245 0004 050
RAPID DN 70	70	90	100	43	0.5	M 8	0245 8219 070	0245 0003 070	0245 8127 070	0245 0004 070
RAPID DN 75 S	75	87	97	40.5	0.5	M 8	0245 8265 075	0245 0003 075		0245 0004 075
RAPID DN 80	75/80	95	105	40	0.5	M 8	0245 8220 080	0245 0003 080	0245 8129 075	0245 0004 080
RAPID DN 100*	100	125	135	39.0	0.5	M 8	0245 8221 100	0245 0003 100	0245 8130 100	0245 0004 100
RAPID DN 125	125	147	162	37.0	0.5	M 8	0245 8222 125	0245 0003 125	0245 8131 125	0245 0004 125
RAPID DN 150	150	172	187	35.5	0.5	M 8	0245 8223 150	0245 0003 150	0245 8132 150	0245 0004 150
RAPID DN 200	200	227	244	33.5	0.5	M 10	0245 8224 200	0245 0003 200	0245 8133 200	0245 0004 200
RAPID DN 250	250	293	306	96	0.3	M 10			0245 8208 250	0245 0004 250
RAPID DN 300	300	345	360	96	0.3	M 10			0245 8209 300	0245 0004 300

\* Suitable for PP-H (HT), PVC-U (KG) or PE/HDPE plastic drainage pipes in unpressurised drainage systems

**Technical benefits**

- ✓ Corrugated housing expands during assembly and ensures visible torque control
- ✓ Fast and intuitive installation without a special tool
- ✓ In accordance with all fire protection requirements for cast installations acc. to EN 877

**NORMACONNECT® DCS RAPID is part of a broad portfolio.**

**Discover more!**



NORMACONNECT® DCS RAPID MSM



NORMACONNECT® DCS Combi Claw



**Do you have questions or require a personal consultation?**

Feel free to contact our NORMA Team! Tel.: +49 2992 907-150

Visit our website for more information about our products: [norma-connects.com](http://norma-connects.com)